



Ultra Entry Door

Installation Instructions



Important

Read these instructions completely before you begin installation. Always think "Safety First". Use the proper tools and always wear safety glasses to protect your eyes.

Required Tools

- | | |
|-------------------|------------------------------|
| Tape Measure | Hammer |
| Framing Square | Quality Exterior Grade Caulk |
| Level | Wood Shims |
| Drill/Screwdriver | 8p Finish Nails |
| 1/8" Drill Bit | Installation Screw Pack |

These instructions apply to the following Door Systems:



Single Doors



Single & Double Continuous Sidelite Units



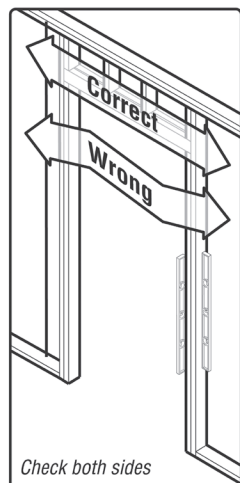
French & Patio Units

Installation Checklist

- Clean, dry, level, and solid subfloor (1)
- Three beads of caulk under the Sill (2)
- Ensure consistent margins (5)
- Steel Door Adjustable Hinge (8)
- Adjust Sill, Check Corner Pads (9)
- Caulk corner of Sill and Jamb (10)
- Position & Install Astragal (French) (11)
- Caulk around door unit and use flashing (11)

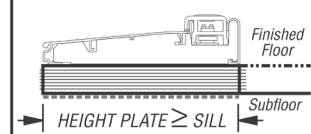
1 Preparing the Rough Opening

- Are the walls straight?
- Are the studs plumb and level?
- Is the subfloor clean, dry, level and solid?

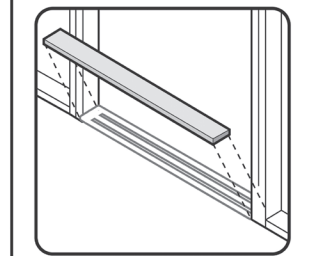


If you are using a height plate to bring the sill up to the level of the finished floor covering:

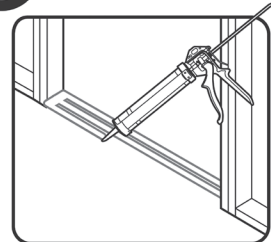
Be sure that it is at least as wide as the sill and as long as the rough opening.



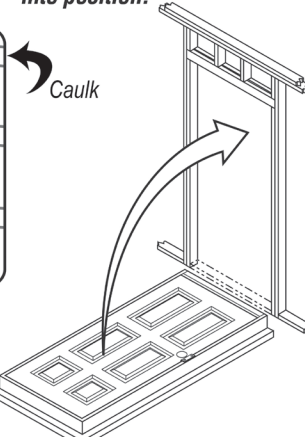
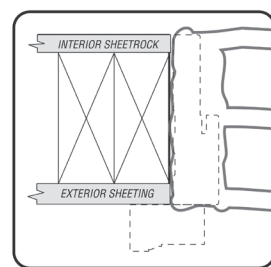
Be sure to caulk thoroughly under and around the height plate.



2 Pre-Caulking Subfloor for Sill

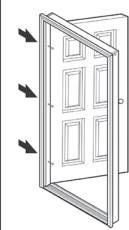


Put three heavy beads (1/2" wide) of silicone caulk on the subfloor or height plate as shown. Put enough caulk at the sides to completely cover the bottom of the side jamb. Pivot door unit directly into position.

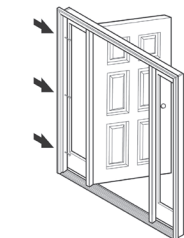


3 Position Unit in Rough Opening

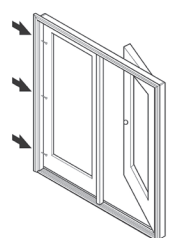
Temporarily tack the door in place with the finish nails provided. DO NOT FULLY SEAT.



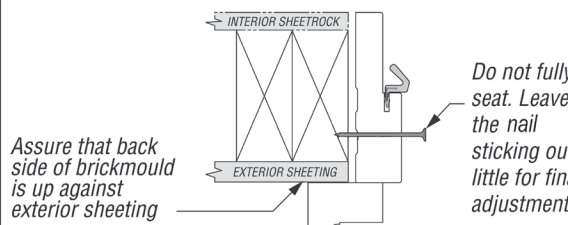
Single Units: Fasten Hinge Jamb



Sidelite Units: Fasten Sidelite Jamb to Hinge Jamb



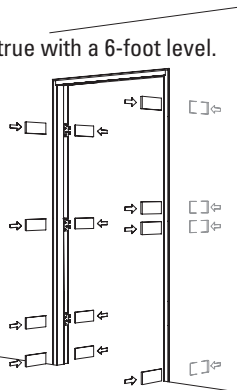
French & Patio Units: Fasten Jamb on fixed or passive side of door



4 Shim to Ensure Consistent Margins

Check hinge jamb for plumb and true with a 6-foot level.

Wedge shims on the bottom at each corner to center and stabilize the unit. Continue placing shims up each side of the unit as shown. Make sure the jambs remain square and vertical as you go.



Adjust the frame so it is flush with the face of the door.

Margins between door and frame should be 1/8" on top and strike side.

IMPORTANT: Shims must be placed behind the jamb at each hinge, latch and deadbolt location. Use the 3" open hole in each hinge. If a dead bolt is being installed, use two 3" screws through the dead bolt strike plate, or through the jamb next to the strike plate. All screws must pass through the jamb and shims, and into the stud.

SAFETY

- Do not work alone. Two or more people may be required.
- Use safety lifting techniques.
- Use caution when handling glass. Broken or cracked glass can cause serious injury.
- Use proper protective gear (gloves, safety glasses, ear protection, etc.)
- Use power tools safely following manufacturer operating instructions.
- Use caution when working on ladders or at elevated heights.
- Take proper precaution if lead paint is suspected (commonly used prior to 1979). Information regarding regulations and lead protection can be found at www.epa.gov/lead

MATERIAL & HANDLING

- Handle in a vertical position. Do not carry flat or drag on the floor.
- Do not put stress on joints, corners, or frames
- Store door in dry, well-ventilated area in vertical, leaning position. Do not stack horizontally.

DISPOSAL & RECYCLING

Most Construction & Demolition (C&D) debris is nonhazardous and is not regulated by EPA. Many states have specific definitions of C&D debris that effectively determine what materials are allowed to be disposed of in nonhazardous waste landfills and C&D landfills. Even if federal or state regulations do not apply to your business, you should make efforts to keep the hazardous components of the wastes you generate out of landfills to conserve natural resources and protect human health and the environment. Suggestions outlines at the following link: www.epa.gov/osw/inforesources/pubs/infocus/rif-cd.pdf identify steps you can take to reduce, reuse, and recycle your waste.



Manufactured by:
Polaris Windows and Doors
500 Victoria Rd. • Austintown, Ohio 44515
www.polariswindows.com

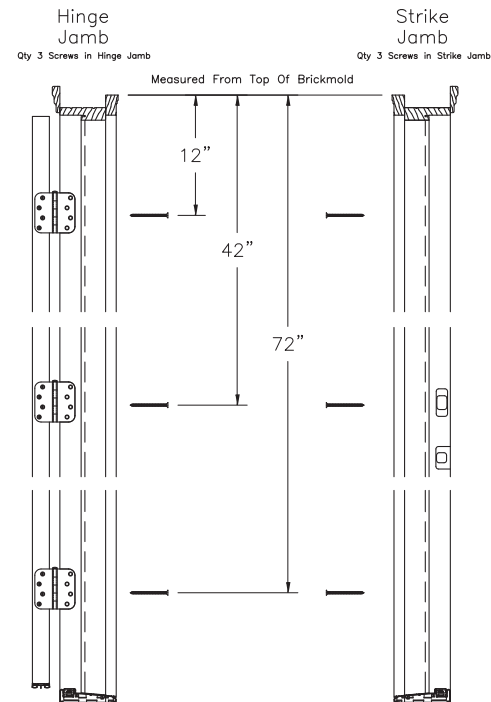
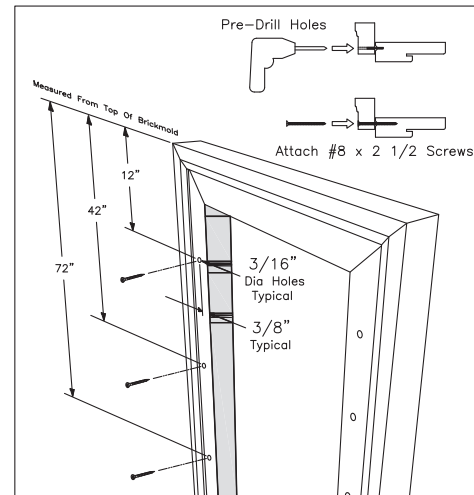
Simple Solution® is a registered trademark of Endura Products, Inc.

Storm Door Prep

Pre-Drill Qty 6, 3/16" Diameter Holes 1 1/8" deep, 3/8" from the edge of the Brick Mold, through the Hinge Side and Strike Side Brickmolds at the dimensions specified.

Use the supplied #8 x 2 1/2 Screws to secure the Brickmold in place prior to Storm Door Installation.

Install the Storm Door onto the secured brickmold per manufacturers instructions.

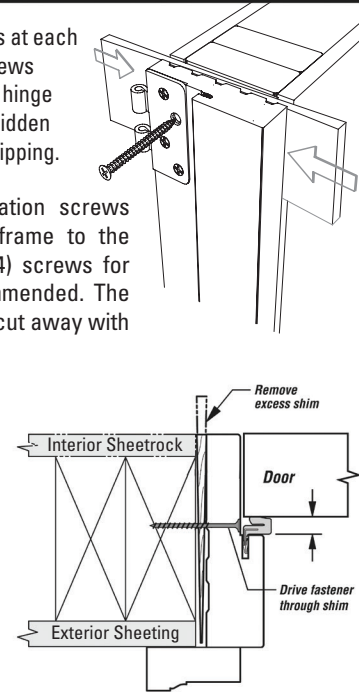


5 Secure with Fasteners

Pre-drill 1/8" pilot holes at each shim location. The screws that don't go through a hinge or strike plate can be hidden behind the weather-stripping.

Use the 2.5" installation screws to fasten the door frame to the opening. Min. four (4) screws for each side are recommended. The excess shim may be cut away with a saw or utility knife.

Check the weatherstripping contact for even compression all around the door.

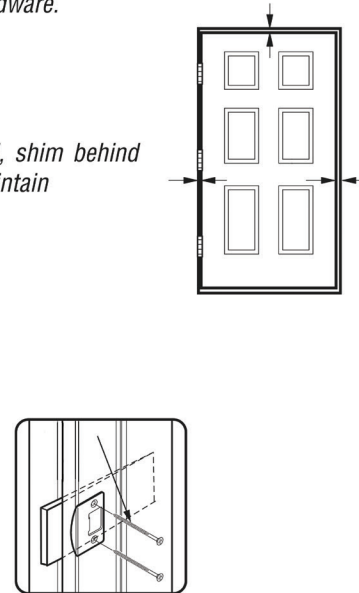


6 Lockset Hardware

Install lockset hardware.

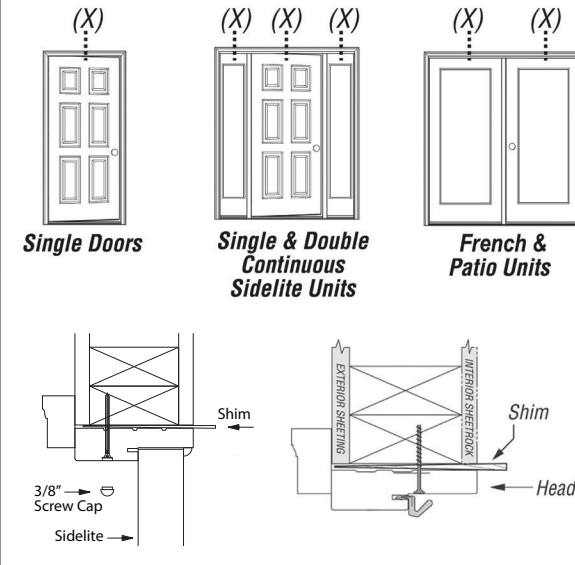
With door closed, shim behind latch area to maintain proper margins.

Attach the strike plate with the screws provided through the shim and into the wall stud. Remove excess shim.



7 Fastening Header

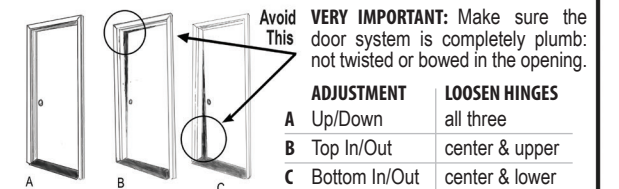
Fasten through thick part of header. Use shim at each location indicated (X) to maintain proper margin.



8 Steel Door Adjustable Hinge

Steel doors come with a patented adjustable hinge plate system. This is for fine tune adjustment of the slab within the frame.

Close the door and check to see that the bottom weather-strip makes an airtight seal along the entire length of the threshold. If the door needs adjustment, loosen the screws on the appropriate door side hinge leaf. With the adjustable hinges loosened, the door can be moved in or out 1/8" and up or down 3/8". Adjust the door as needed, then re-tighten the hinge screws and re-check the door for a good airtight seal. Check the bottom seal by closing the door and looking to see if any daylight appears along the bottom edge.

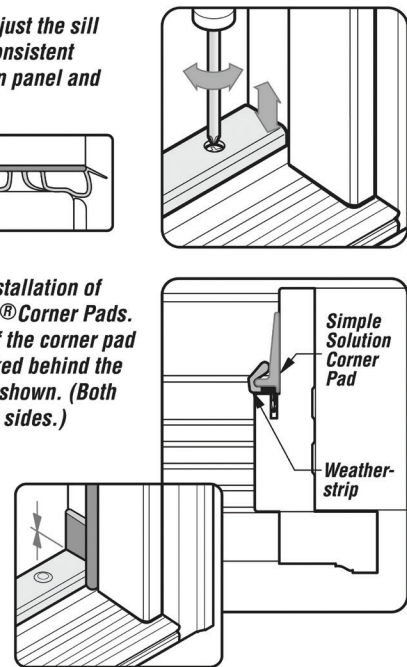


9 Adjust Sill and Check Corner Pads

If necessary, adjust the sill cap to ensure consistent spacing between panel and cap.

Verify proper installation of Simple Solution® Corner Pads. The raised fin of the corner pad needs to be tucked behind the weatherstrip as shown. (Both strike and hinge sides.)

The Simple Solution Corner Pad must also contact the top surface of the sill cap.



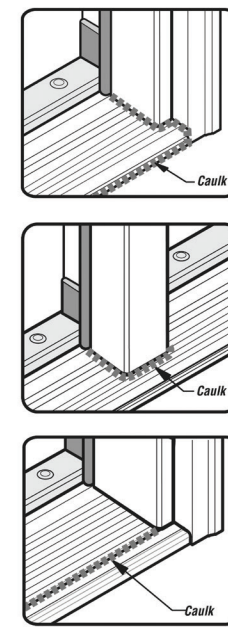
10 Caulking Sill

Caulk must be applied to the intersection of the aluminum sill extrusion and the jamb.

Seal front bottom edge of sill.

Caulk around the intersection of the mull and the door sill.

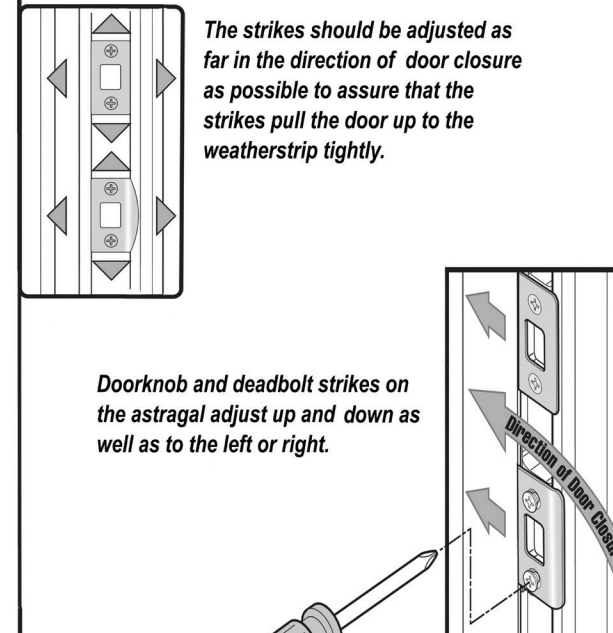
If a sill extender is installed, apply a bead of caulk where the extender meets the sill.



11 Astragal Positioning (French)

The strikes should be adjusted as far in the direction of door closure as possible to assure that the strikes pull the door up to the weatherstrip tightly.

Doorknob and deadbolt strikes on the astragal adjust up and down as well as to the left or right.



12 Finishing Instructions

If you did not order your door with a factory applied finish, the door should be finished immediately after installation.

Please refer to the finishing instructions for printing and staining included separately.

Doors not finished within 30 days from installation will void all warranties.